

PIZZA GROUP DRAGON 24 HIGH PRODUCTIVITY STATIC CONVEYOR OVEN

ITEM: #47575

MODEL: PE-IT-0024-D-RL



PIZZAGROUP



* Item 47576: Stainless Steel Stand with Wheels sold separately

FEATURES

- Refractory Stone cooking surface
- 3-zone
- Dual rotation of the Belt
- Insulated center double glass door
- Special mesh in-feed and out-feed conveyor belt
- Detachable control panel
- Made completely in Stainless Steel
- Designed to be stackable
- American made (components installed: electrical device, electronic and motor)
- Easy to clean
- 4.0 ready (possibility to control the ovens from save all the production statistic)

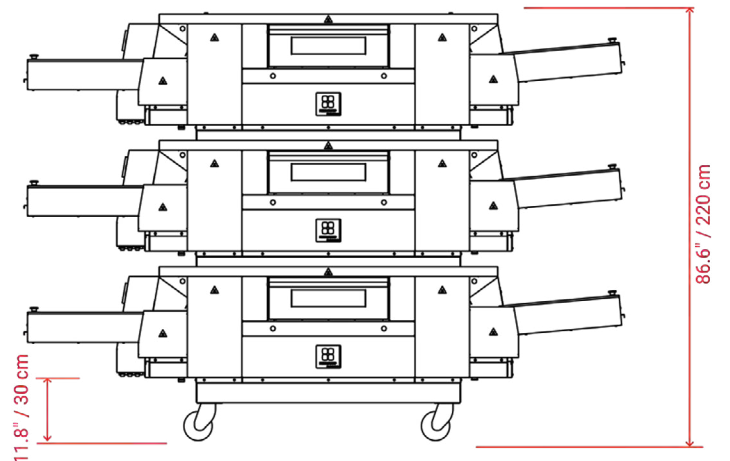
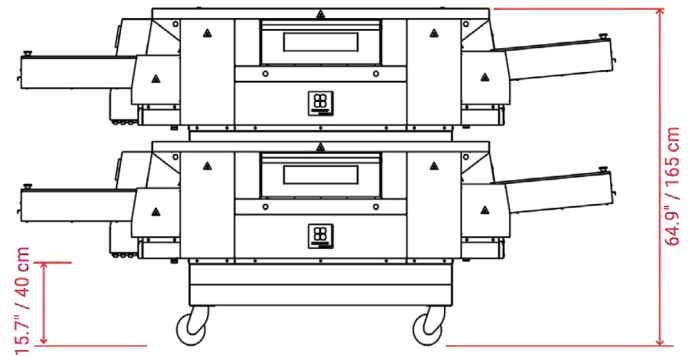
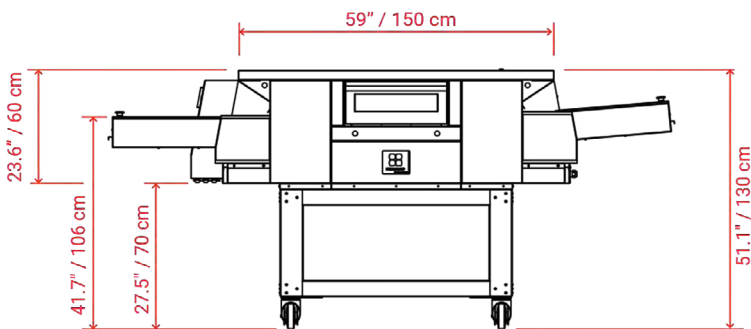
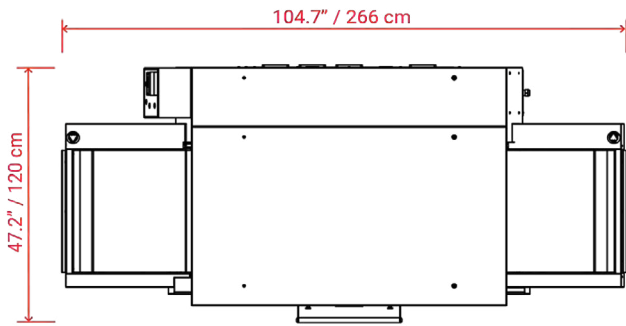


PIZZA GROUP DRAGON 24 CONVEYOR OVEN

ITEM: 47575 MODEL: PE-IT-0024-D-RL



DIMENSIONS AND TECHNICAL DRAWS



Pizza Group Dragon 24 High Productivity Static Conveyor Oven	
Item	47575
Electrical	208 V / 60 Hz / 3 Ph
Current Draw	85 A
Supply	28 kW
Breakers	100 A
Internal Dimensions (DWH)	53.9" x 24" x 2.3" / 137 x 61 x 6 cm
Packaging Dimensions (DWH)	76.3" x 57.8" x 42.5" / 194 x 147 x 108 cm
Weight	1344.80 lb. / 610 kg.
Packaging Weight	1697.55 lb. / 770 kg.

Telephone: 1-800-465-0234

Fax: (905) 607-0234

Email: sales@omcan.com

Website: www.omcan.com

